



# NEWMAC

Efficient Wood Heating Solutions



*NS 80 Viscount  
For Home or  
Cottage Installation*

## Model NS 80 Viscount

*The popular NS 80 offers a firebrick lining for long life, heat retention and improved combustion.*

- Automatic non-electric control that keeps room temperature constant.
- Heats up to 3 average rooms (35,000 btuh).
- Large firebox takes 18" logs with a refueling cycle of up to 7 hours.
- Can use up to 1/3 less wood than conventional wood stoves.
- 6" (153 mm) top flue outlet.
- Stainless steel Scandanavian Baffle provides increased efficiency and heat transfer.
- Black with hi heat resistant painted coating.
- Front loading with hearth logs up to 18" (457 mm).
- Heavy gauge steel and high temperature firebrick lined firebox.
- Stainless steel ash guard and interior sheild.
- Optional cook-top
- Can be used as tailgater or patio heater.
- Ideal for cottage or hunting camp.

## SPECIFICATIONS • Model NS80 Viscount

### OVERALL DIMENSIONS

HIGH 27 1/2" (698 mm)  
DEEP 26" (660 mm)  
WIDE 17" (432 mm)

### FIREBOX DOOR OPENING

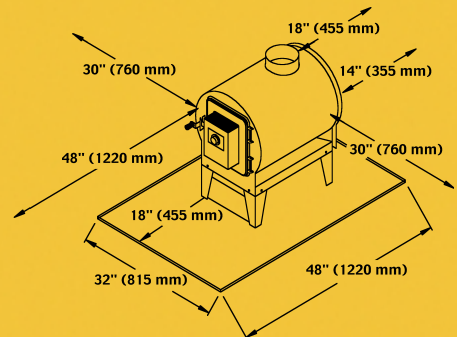
WIDE 9 3/4" (248 mm)  
HIGH 7 1/2" (191 mm)

### WEIGHT

100 lbs.

### Installation Clearances

**Side Wall**  
30" (762 mm)  
**Rear Wall**  
14" (355 mm)  
**Above**  
60" (1525 mm)  
**Front**  
48" (1220 mm))  
**Flue Pipe**  
18" (457 mm)



### Newmac Manufacturing Inc.

P.O. Box 9, Debert, Nova Scotia • B0M 1G0 Canada  
Tel: 902-662-3840 Fax: 902-662-2581

P.O. Box 545, Woodstock, Ontario • N4S 7Y5 Canada  
Tel: 519-539-6147 Fax: 519-539-0048

email: [newmac@fox.nstn.ca](mailto:newmac@fox.nstn.ca)  
website: [NewmacFurnaces.com](http://NewmacFurnaces.com)